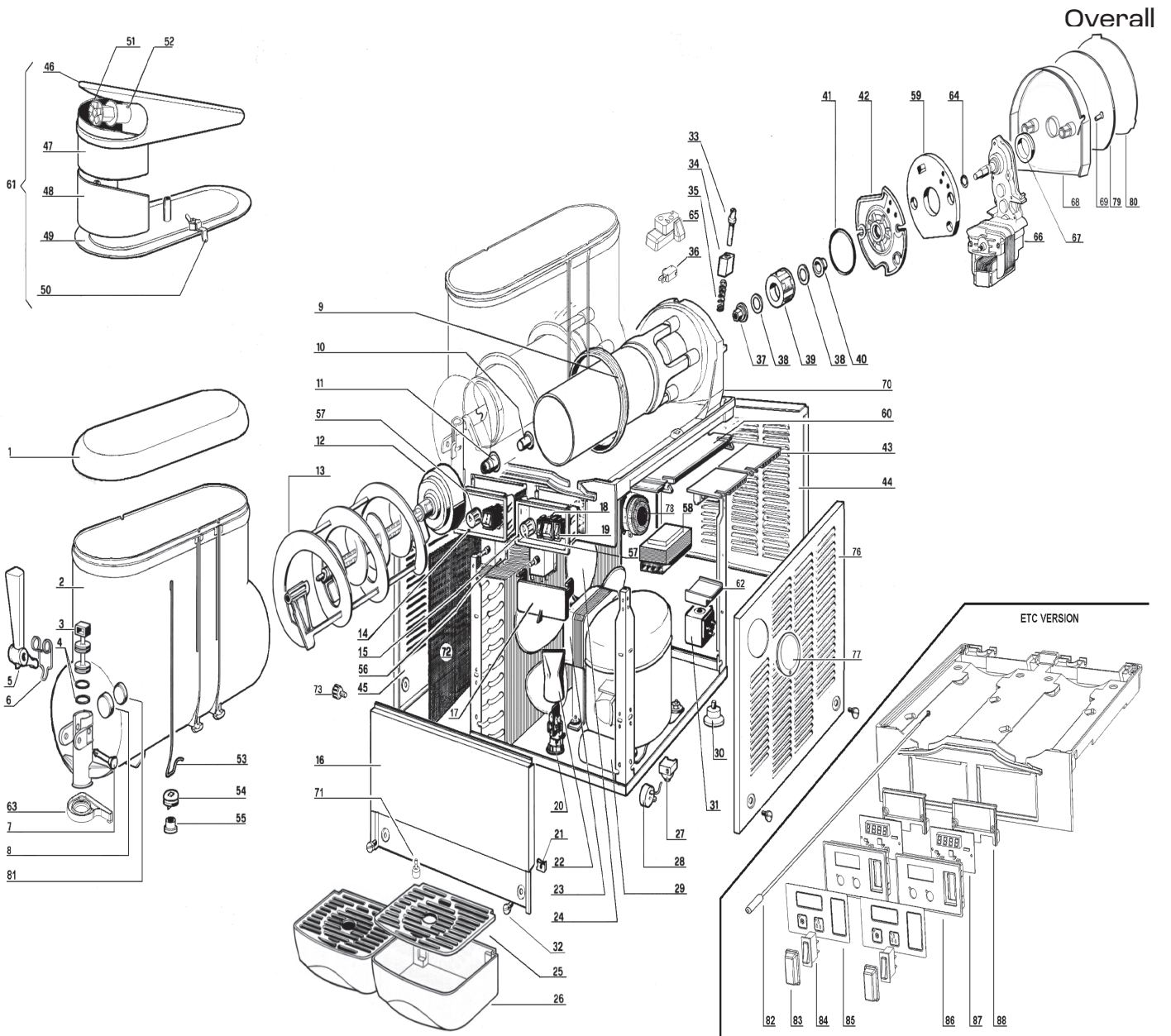


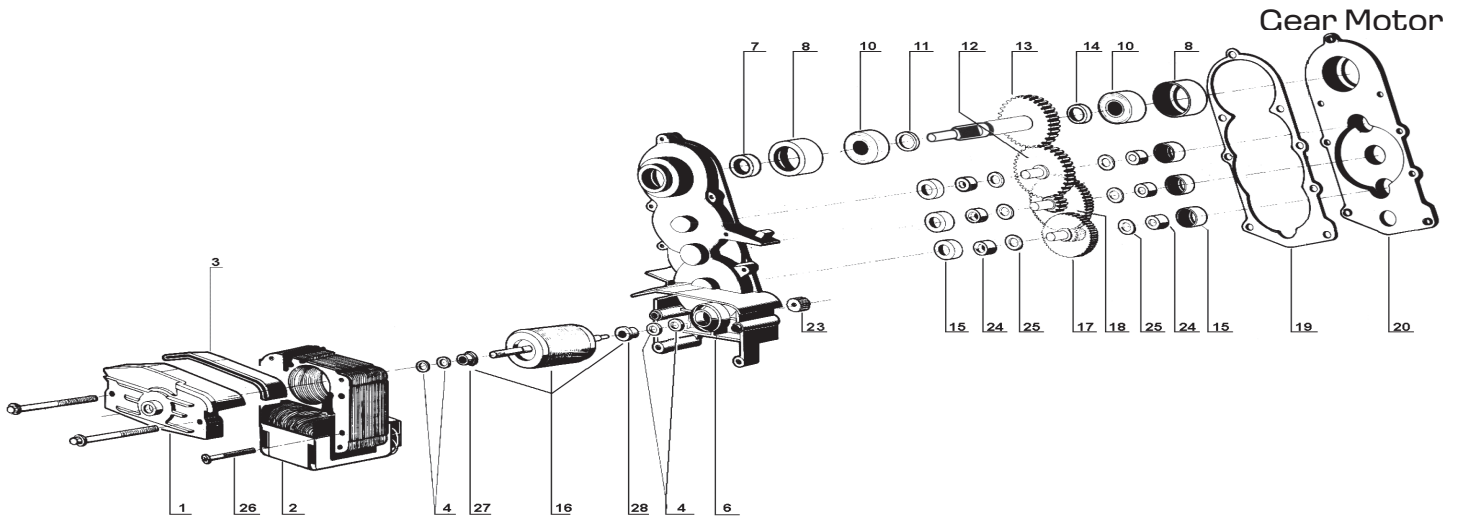
# PARTS BREAKDOWN

ITEM	MODEL
49082	DI-IT-0020-MT2



# PARTS BREAKDOWN

ITEM	MODEL
49082	DI-IT-0020-MT2



# PARTS BREAKDOWN

ITEM	MODEL
49082	DI-IT-0020-MT2

Overall

Item No.	Description	Position	Item No.	Description	Position	Item No.	Description	Position
AS471	Transparent Cover for 49082	1	AS510	Drip Tray for 49082	26	AS416	Fixing Ring for 49082	55
AS472	Bowl for 49082	2	AS392	Rubber Leg for 49082	30	AS417	Thermostat for 49082	56
AS369	Faucet Piston for 49082	3	AS394	Stainless Steel Fixing Screw for Panel for 49082	32	AS418	Thermostat Knob for 49082	57
AS370	Faucet Piston OR for 49082	4	AS395	Density Adjustment Screw for 49082	33	AS512	Transformer for 49082	58
AS473	Faucet Handle for 49082	5	AS396	Shaped Nut for 49082	34	AS420	Insulation Foam for 49082	59
AS368	Faucet Handle Spring for 49082	6	AS397	Spring for 49082	35	AS491	PWB Housing for 49082	60
AS371	Faucet Handle Pin for 49082	7	AS398	Microswitch for 49082	36	AS492	Lighted Top Cover (Assy.) MT for 49082	61
AS372	Thrust Washer Rubber Cap for 49082	8	AS399	Rear Wall Rear Bushing for 49082	37	AS413	Solenoid Valve Plastic Cap for 49082	62
AS474	Bowl Gasket for 49082	9	AS400	Magnetic Drive Washer for 49082	38	AS423	Condensate Collection Seal for 49082	63
AS375	Rear Wall Front Bushing for 49082	10	AS401	Magnetic Drive for 49082	39	AS424	Central Shaft OR for 49082	64
AS376	Auger Bushing for 49082	11	AS402	Flange Bushing for 49082	40	AS493	Micro-Switch Protection for 49082	65
AS377	Auger for 49082	12	AS403	Flange OR 3231 for 49082	41	AS494	Gear Motor for 49082	66
AS475	Outer Spiral for 49082	13	AS404	Gear Motor Flange for 49082	42	AS426	Rear Bushing for 49082	67
AS379	Switch Box for 49082	14	AS481	MT Delay Electronic Device for 49082	43	AS495	Rear Cover for 49082	68
AS380	Power Switch Box for 49082	15	AS511	Back Panel for 49082	44	AS496	Black Rear Cover Fixing Screw for 49082	69
AS508	Dispensing Side Panel for 49082	16	AS483	Side Panel for 49082	45	AS497	Complete Evaporator (White Version) for 49082	70
AS382	Switch Panel Cover for 49082	17	AS484	Lighted Top Cover (Upper) for 49082	46	AS393	Float Level for 49082	71
AS383	3-Position Switch for 49082	18	AS485	Picture for 49082	47	AS498	Condenser Filter for 49082	72
AS384	Switch for 49082	19, 84	AS486	Picture Screen for 49082	48	AS431	MT Side Panel Fixing Grey Knob for 49082	73
AS385	Terminal Block with Cable Clamp for 49082	20	AS487	Lighted Top Cover (Lower) for 49082	49	AS499	Right Side Panel for 49082	76
AS386	Clip for 49082	21	AS488	Top Cover Light Contact for 49082	50	AS432	Timer Cover for 49082	77
AS387	Terminal Block Protection for 49082	22	AS434	Bulb for 49082	51	AS422	Timer Switch for 49082	78
AS477	Fan Motor for 49082	23	AS435	Bulb Socket for 49082	52	AS500	Rear Cover Picture for 49082	79
AS478	Fan Blade for 49082	24	AS489	Light Wire for 49082	53	AS501	Rear Cover Picture Screen for 49082	80
AS509	Drip Tray Cover for 49082	25	AS415	Flexible Contact for 49082	54	AS373	Thrust Washer for 49082	81

# PARTS BREAKDOWN

ITEM	MODEL
49082	DI-IT-0020-MT2

## Overall

Item No.	Description	Position	Item No.	Description	Position	Item No.	Description	Position
AS502	Temperature Probe for 49082	82	AS504	Adhesive for Keyboard with Main Switch for 49082	85	AS506	Display Card for 49082	87
AS503	Switch Cap for 49082	83	AS505	Display Card Support for 49082	86	AS507	Display Card Holder Cover for 49082	88

## Gear Motor

Item No.	Description	Position	Item No.	Description	Position	Item No.	Description	Position
AS515	Bracket with Bush for 49082	1	AS455	1.5mm Spacer for 49082	11	AS520	Gasket for 49082	19
AS516	Stator for 49082	2	AS456	Third Gear for 49082	12	AS521	Gear Box Cover for 49082	20
AS449	Stator Protection Gasket for 49082	3	AS518	Fourth Gear for 49082	13	AS465	Pinion for 49082	23
AS450	Washer for 49082	4	AS458	3.3mm Spacer for 49082	14	AS466	Bushing for 49082	24
AS517	Gear Box with Bushing for 49082	6	AS519	Bushing Rubber Cap for 49082	15	AS467	Washer for 49082	25
AS452	Seal Retainer for 49082	7	AS460	Rotor with Spacer for 49082	16	AS468	Bracket Screw for 49082	26
AS453	Ball Bearing Rubber Cap for 49082	8	AS461	First Gear for 49082	17	AS469	Spacer (Stator Side) for 49082	27
AS454	Ball Bearing 28mm for 49082	10	AS462	Second Gear for 49082	18	AS470	Spacer (Box Side) for 49082	28